

MU10D Series

10W, Wide 4:1 Input Range, 1.5KV Isolation, DIP24 Package DC/DC Converters

Features

- ▶ Rated power: 10W Max
- ▶ Input voltage range 4:1
- ▶ Regulated single or dual out
- ▶ High efficiency up to 88%
- ▶ Isolation voltage 1.5KVdc
- ▶ Remote On/Off control
- ▶ Operating temperature range: -40 ~ +85°C ambient
- ▶ RoHS compliant
- ▶ Six side metal shielding
- ▶ Compact DIP24 package
- ▶ Under voltage, over voltage, over current, and short circuit protection
- ▶ Meet IEC/EN62368-1
- ▶ 5 year warranty



Overview

The MU10D series are 1.5KV isolated 10Watt DC/DC converters with standard DIP24 footprint. Designed with high efficiency, they operate in a wide temperature range from -40°C to +85°C. Other features include wide 4:1 input voltage range, under voltage, over voltage, over current, and short circuit protections. These converters are ideally suitable for measurement equipment, telecom, wireless network, industrial control system, where isolated, tightly regulated voltages are desired.

Model Numbers

Model Number	Input Voltage [VDC]			V _{OUT} [VDC]	Output Current [mA]		Efficiency [%] Typ.	Capacitive Load [uF] Max.
	Nom.	*Range	*Max.		Max.	Min.		
MU10D-2403	24	9-36	40	3.3	2400	0	86	1200
MU10D-2405	24	9-36	40	5	2000	0	87	1000
MU10D-2412	24	9-36	40	12	833	0	87	470
MU10D-2415	24	9-36	40	15	667	0	87	330
MU10D-2424	24	9-36	40	24	416	0	88	100
MU10D-2405D	24	9-36	40	±5	±1000	0	83	1000
MU10D-2412D	24	9-36	40	±12	±416	0	87	470
MU10D-2415D	24	9-36	40	±15	±333	0	87	330
MU10D-4803	48	18-75	80	3.3	2400	0	85	1200
MU10D-4805	48	18-75	80	5	2000	0	86	1000
MU10D-4812	48	18-75	80	12	833	0	87	470
MU10D-4815	48	18-75	80	15	667	0	87	330
MU10D-4824	48	18-75	80	24	416	0	88	100
MU10D-4805D	48	18-75	80	±5	±1000	0	83	1000
MU10D-4812D	48	18-75	80	±12	±416	0	87	470
MU10D-4815D	48	18-75	80	±15	±333	0	87	330

* Input voltage exceed the Max. value may cause permanent damage.

* Only typical models are listed. Other models may be available upon request.

Electrical Specifications

Unless otherwise indicated, specifications are measured at $T_A=25^{\circ}\text{C}$, nominal input voltage, full load after warm up.

Parameters	Conditions	Min.	Typ.	Max.	Unit	Note
Input current Full load, $V_{IN, Nom} = 24\text{V}$	$V_{OUT} = 3.3\text{V}$ $V_{OUT} = 5\text{V}$ Others	-	380 474 502	-	mA	
Input current Full load, $V_{IN, Nom} = 48\text{V}$	$V_{OUT} = 3.3\text{V}$ $V_{OUT} = 5\text{V}$ Others	-	192 240 251	-	mA	
Input current No load		-	6	-	mA	
Reflected ripple current		-	30	-	mA	
Input voltage surge 1 second max	$V_{IN, Nom} = 24\text{V}$ $V_{IN, Nom} = 48\text{V}$	-0.7 -0.7	-	50 100	Vdc	
Startup input voltage	$V_{IN, Nom} = 24\text{V}$ $V_{IN, Nom} = 48\text{V}$	-	-	9 18	Vdc	
Input under voltage shutdown	$V_{IN, Nom} = 24\text{V}$ $V_{IN, Nom} = 48\text{V}$	5.5 14.0	6.5 15.5	-	Vdc	
Output voltage accuracy		-	± 1	± 3	%	
Output voltage balance Dual output with balanced load		-	± 0.5	± 1.5	%	
Line regulation Full load, $V_{IN} = V_{IN, Min}$ to $V_{IN, Max}$	Main output Other output	-	± 0.2 ± 0.5	± 0.5 ± 1.0	%	
Load regulation $I_{OUT}=5\%$ to 100% of $I_{OUT, rated}$	Main output Other output	-	± 0.5 ± 0.5	± 1.0 ± 1.5	%	
Temperature coefficient	Full load	-	-	0.03	%/ $^{\circ}\text{C}$	
Output ripple and noise 20MHz bandwidth, peak to peak		-	40	85	mV	
Remote On/Off control "Ctrl" pin open or logic high [ON] "Ctrl" pin grounded or logic low [OFF]	Logic high Logic low Ctrl pin current	3.5 0 -	- - 6	12 1.2 10	Vdc Vdc mA	Positive Logic
Dynamic load response $I_{OUT}=25\% \sim 50\% \sim 75\%$ of $I_{OUT, rated}$	Peak deviation** Peak deviation Recovery time	-	± 5 ± 3 300	± 8 ± 5 500	% V_{OUT} % V_{OUT} μs	** $V_{OUT}=3.3\text{V}$, 5V, $\pm 5\text{V}$
Output over voltage protection		110	-	160	% V_{OUT}	
Output over current protection		110	140	230	% I_{OUT}	
Output short circuit protection		Continuous, automatic recovery, hiccup				

* Operating with less than 5% of rated load will not cause damage to the converters, but the performances data may not fall into the specifications, and stable operating is not assured.

General Specifications

Parameters	Conditions	Min.	Typ.	Max.	Unit	Note
Isolation voltage 1 minute, leakage current 1mA max.	I/P to O/P	1500	-	-	VDC	
Isolation resistance Tested at 500VDC	I/P to O/P	1000	-	-	M ohm	
Isolation capacitance 100KHz, 0.1V	I/P to O/P	-	2000	-	pF	
Switching frequency*	Full load	-	300	-	KHz	PWM mode
Operating temperature	See "Derating Curve"	-40	-	+85	°C	
Storage temperature		-55	-	+125	°C	
Storage humidity	None condensing	5	-	95	%RH	
Pin soldering temperature		-	-	300	°C	
Vibration		IEC/EN61373 – Category 1, Grade B				
Cooling method		Free air convection				
Case material		Aluminum alloy				
MTBF	MIL-HDBK-217F	>1,000,000 Hours, T _A =25°C				
Design based on standards		UL/EN/IEC 62368-1				
Safety certifications		EN/IEC 62368-1				
EMC		CISPR32, EN55032 Class B with external circuit IEC/EN61000-4-2, 3, 4, 5, 6				
Size, and Weight		32 x 20 x 11.1 mm, 14g				

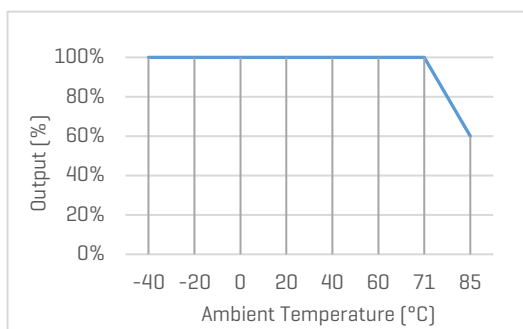
* Switching frequency is measured at full load. The converter reduces the switching frequency at low load [less than 50% load] for better efficiency.

Characteristic Curves

Derating Curve

Output vs Ambient Temperature

No heatsink



MU10D Series

10W, Wide 4:1 Input Range, 1.5KV Isolation, DIP24 Package DC/DC Converters

Recommended Application Circuit

Typical Application Circuit

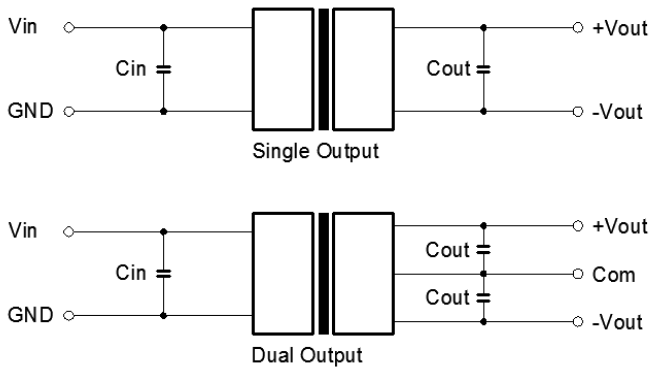


Figure 1. Typical external circuit

Note

*Typical application circuit is to further lower the input and output ripple. It is not required for general use.

*Recommended component specifications are typical values. Excessive external capacitive load may cause startup problem.

[Table 1] Recommended component spec

Input voltage	24V	48V
C_{IN}	100uF, 50V	10...47uF, 100V
C_{OUT}	10uF, 50V	

Circuit for EMC Enhancement

*Use this application circuit to meet Class B EMC performance.

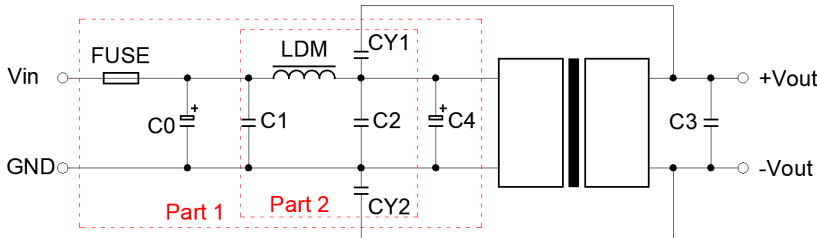


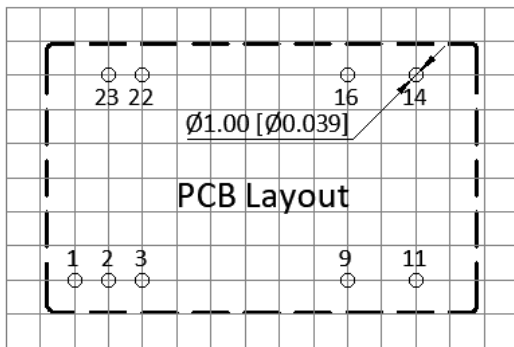
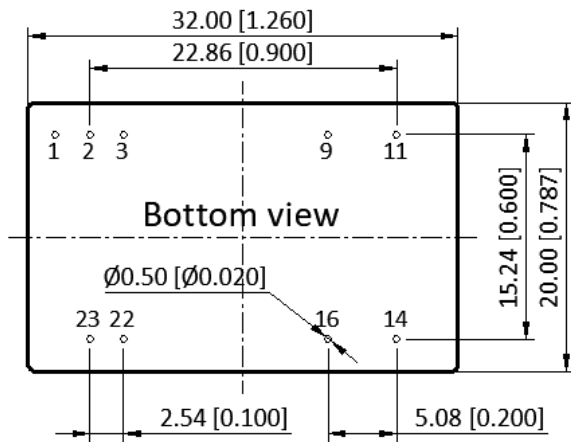
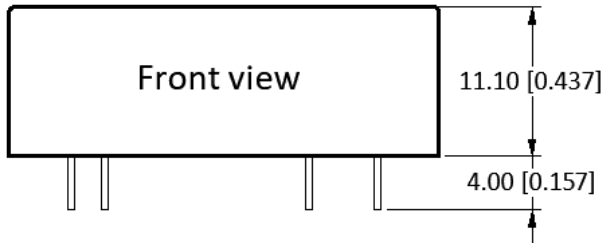
Figure 2. Circuit for EMC enhancement

[Table 2] Recommended component spec

Component	LDM	C0, C4	C1, C2	CY1, CY2
$V_{IN}=24V$	10uH	330uF, 50V	10uF, 50V	1nF, 2KV
$V_{IN}=48V$	10uH	330uF, 100V	10uF, 100V	1nF, 2KV

* "Fuse" to be selected according to application needs. "C3" refer to relative C_{OUT} values in Table 1.

Mechanical Specifications



Pin Definition

Pin #	Single Out	Dual Out
1	Ctrl	Ctrl
2, 3	GND	GND
9	No pin	COM
11	No connection	-V _{OUT}
14	+V _{OUT}	+V _{OUT}
16	OV	COM
22, 23	V _{IN}	V _{IN}

* Unless otherwise specified unit: mm [inch]

* General tolerance: ± 0.50 [± 0.020]

* Pin thickness: ± 0.10 [± 0.004]

* Footprint grid 2.54 x 2.54 mm